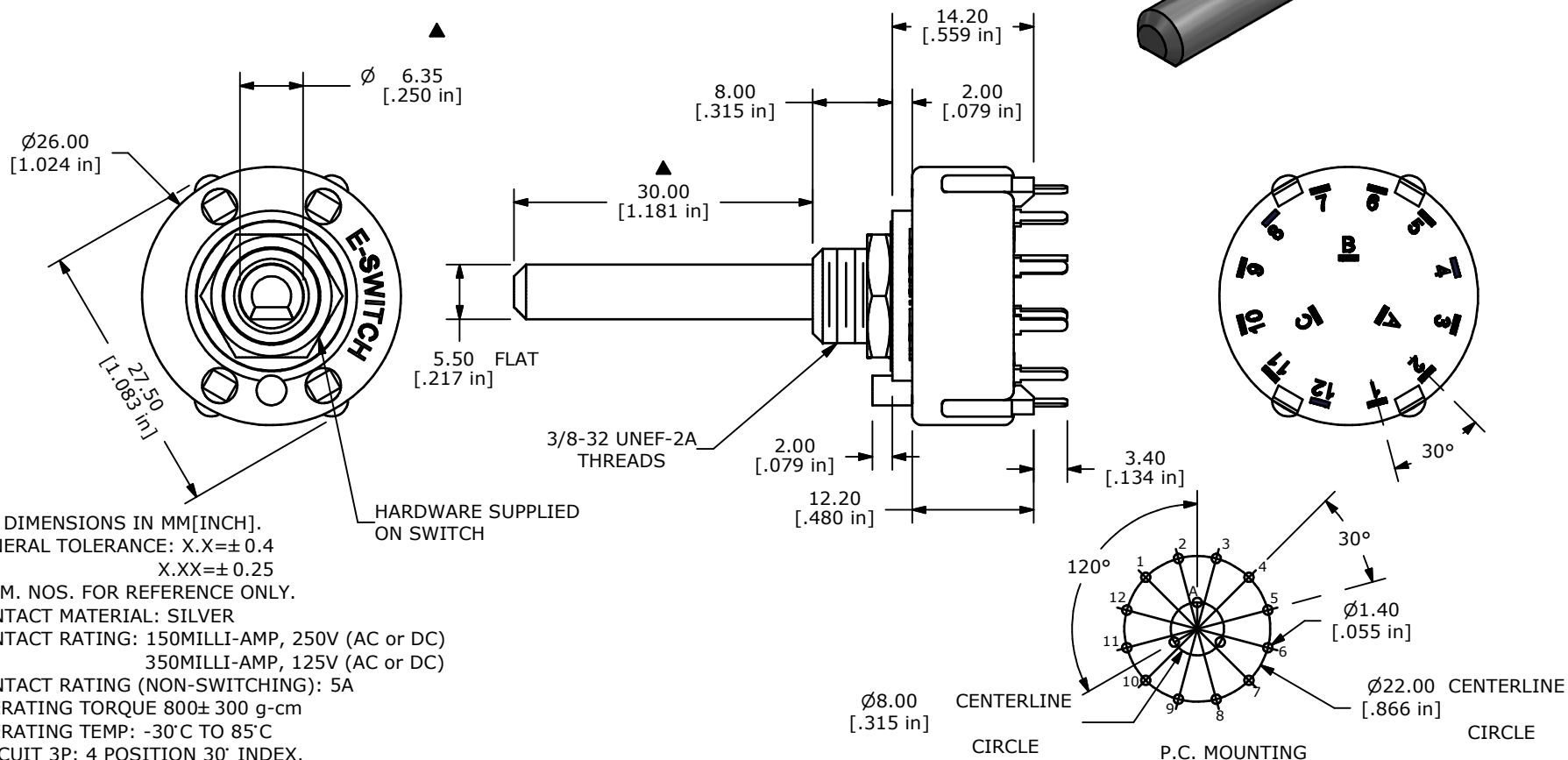
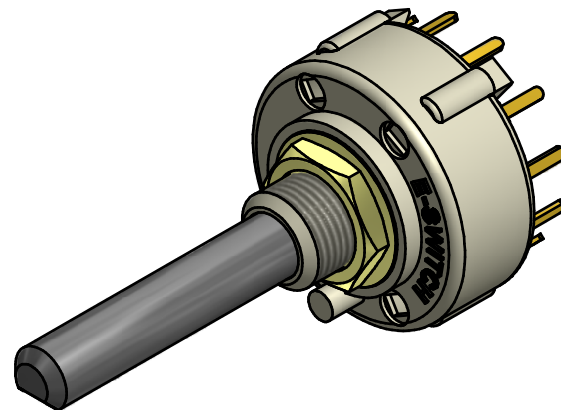


CONTACT CONFIGURATION  
TIMING (MBB) SHORTING



NOTE:

1. ALL DIMENSIONS IN MM[INCH].
2. GENERAL TOLERANCE: X.X=± 0.4  
X.XX=± 0.25
3. TERM. NOS. FOR REFERENCE ONLY.
- ▲ 4. CONTACT MATERIAL: SILVER
5. CONTACT RATING: 150MILLI-AMP, 250V (AC or DC)  
350MILLI-AMP, 125V (AC or DC)
6. CONTACT RATING (NON-SWITCHING): 5A
7. OPERATING TORQUE 800± 300 g-cm
8. OPERATING TEMP: -30°C TO 85°C
- ▲ 9. CIRCUIT 3P: 4 POSITION 30° INDEX.
10. DIELECTRIC STRENGTH: 1000V RMS MIN.@ SEA LEVEL.
- ▲ 11. HARDWARE SUPPLIED ON SWITCH:  
LOCKWASHER, HEXNUT, STOP RING
12. ▲ DENOTES CRITICAL PARAMETER.
13. 2002/95/EC (ROHS) COMPLIANT.



TITLE KC34A30.001SPS				
SCALE	DATE	DR	DWG	REV
	12/5/2013	EBP	G510459	A

A	21317	RELEASED FOR PRODUCTION	12/5/13	EBP
REV	PCR NO	DESCRIPTION	DATE	BY
<p><small>THE INFORMATION CONTAINED IN THIS DOCUMENT IS PROPRIETARY TO E-SWITCH AND IS NOT TO BE COPIED OR TRANSFERRED</small></p>				